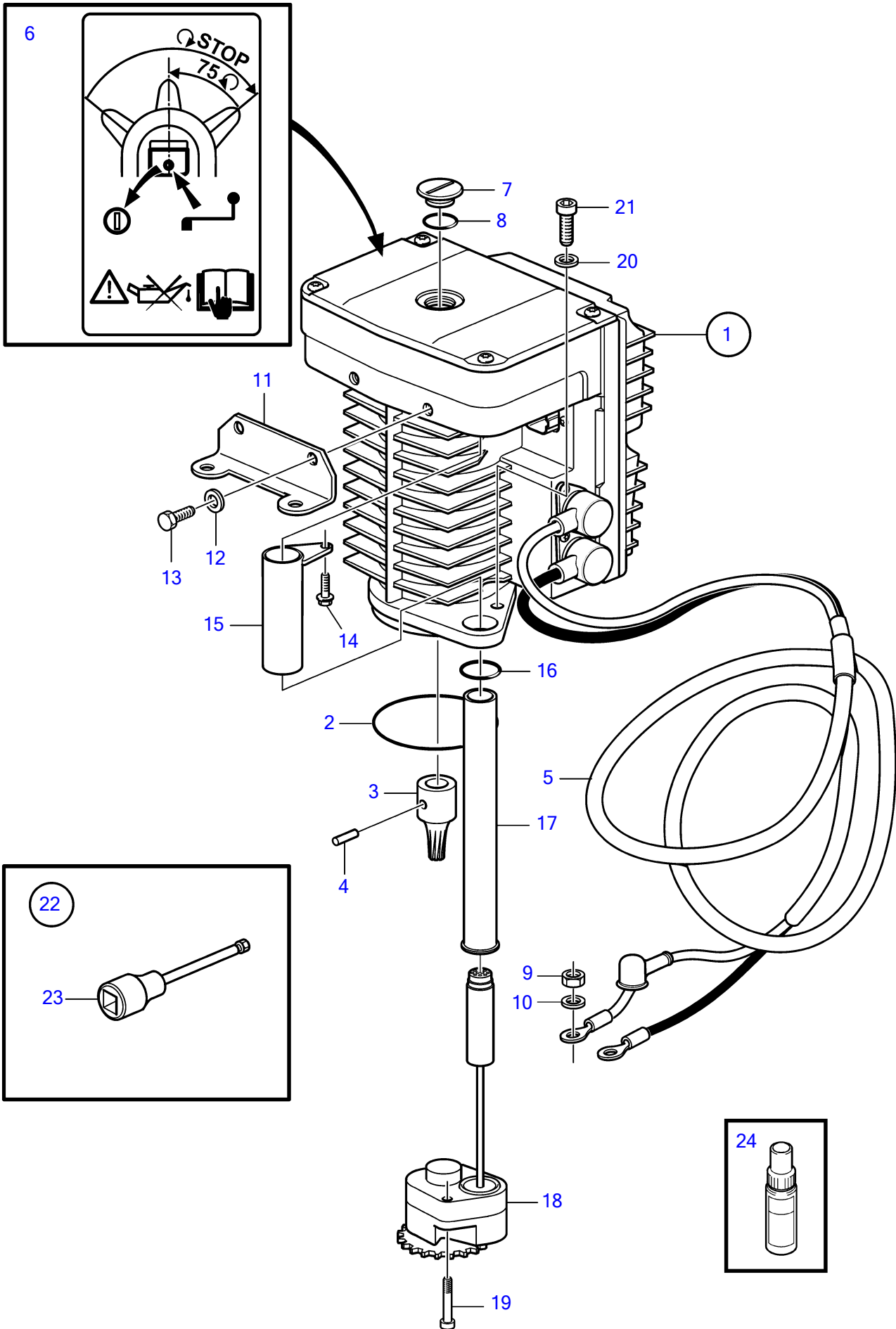


D4-260D-B, D4-260D-C, D4-260D-D, D4-300D-A, D4-300D-C, D4-260D-E, D4-300D-E, D4-300D-D



D4-260D-B, D4-260D-C, D4-260D-D, D4-300D-A, D4-300D-C, D4-260D-E, D4-300D-E, D4-300D-D

| REF | PART NO. | QTY | DESCRIPTION       | NOTES   |
|-----|----------|-----|-------------------|---|
| 1   | 3801362  | 1   | Servo unit, exch  | EVC-C   |
|     | 3809285  | 1   | Software          | Vodia-programming. This p/n can not be ordered, but will be used for invoicing.     |
|     | 3809286  | 1   | Software          | Warehouse programming. This p/n can not be ordered, but will be used for invoicing. |
| 2   | 925258   | 1   | • O-ring          |   |
| 3   | 3588108  | 1   | • Sun gear        |   |
| 4   | 949796   | 1   | • Spring pin      |   |
| 5   | 888553   | 1   | • Cable           | Std   |
|     | 3807917  | 1   | • Cable           | Jackshaft   |
| 6   | 3809619  | 1   | • Decal           |   |
| 7   | 3809775  | 1   | • Closure         |   |
| 8   | 955994   | 1   | • O-ring          |   |
| 9   | 983715   | 2   | Hexagon nut       |   |
| 10  | 941907   | 2   | Spring washer     |   |
| 11  | 21408647 | 1   | Bracket           |   |
| 12  | 941670   | 2   | Washer            |   |
| 13  | 984697   | 2   | Hexagon screw     |   |
| 14  | 945358   | 1   | Flange screw      |   |
| 15  | 3587842  | 1   | Tube              |   |
| 16  | 949657   | 1   | O-ring            |   |
| 17  | 3862558  | 1   | Tube              |   |
| 18  | 21147917 | 1   | Sensor kit        |   |
| 19  | 959207   | 2   | Hex. socket screw |   |
| 20  | 946541   | 2   | Hex. socket screw |   |
| 21  | 941670   | 2   | Washer            |   |
| 22  | 3812065  | 1   | Kit               |   |
| 23  | 3863070  | 1   | • Tool            |   |
| 24  | 9434520  | 1   | Locking fluid     | Use for area between resolver and SUS.  |